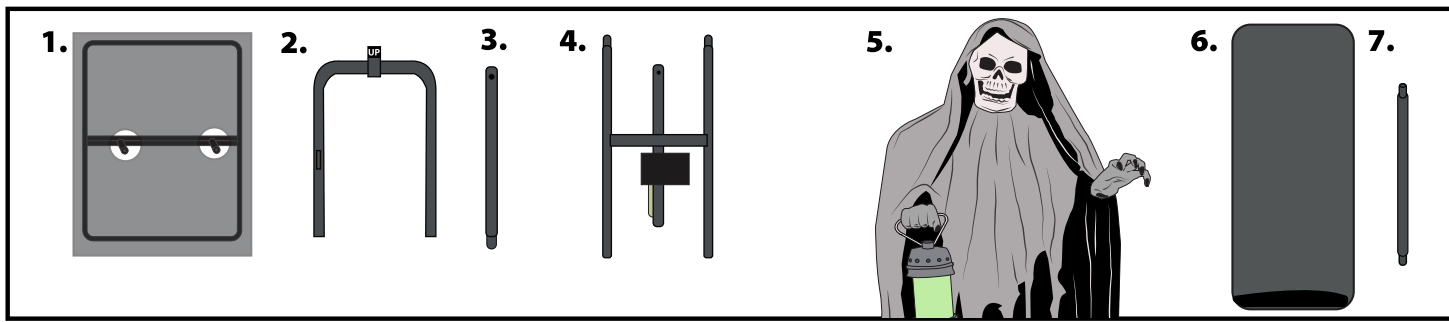


ANIMATED GHOST REAPER™

Installation and Operating Instructions

Keep all plastic and wire parts away from children.



PARTS

1. METAL BASE
2. UPPER FRAME
3. UPPER FRAME POLE
4. LOWER FRAME AND MODULE
5. BODY AND LANTERN
6. FABRIC FRAME COVER
7. CENTER BODY POLE

1. Snap lock LOWER FRAME AND MODULE onto METAL BASE. (Match A to A)
2. Snap lock UPPER FRAME onto LOWER FRAME AND MODULE. (Match B to B)
3. Slide the UPPER FRAME POLE through the sleeve marked **UP** on the UPPER FRAME. Snap lock the UPPER FRAME POLE into the LOWER FRAME AND MODULE. (Match C to C)
4. Attach the spring located on the LOWER FRAME AND MODULE to the hook on the UPPER FRAME AND CENTER POLE. (Match YELLOW TO YELLOW)

NOTE: SPRING MUST BE ATTACHED ONLY TO THE CORRECT COLOR CODE OR IT WILL DAMAGE THE SPRING!

5. Attach the spring located on the UPPER FRAME AND CENTER POLE to the hook on the CENTER POLE. (Match BLUE TO BLUE)

NOTE: SPRING MUST BE ATTACHED ONLY TO THE CORRECT COLOR CODE OR IT WILL DAMAGE THE SPRING!

6. Slide the FABRIC FRAME COVER over the assembled UPPER FRAME AND CENTER POLE.

7. Snap lock the CENTER BODY POLE onto the UPPER FRAME POLE. (Match D to D)

8. Snap lock the BODY AND LANTERN onto the CENTER BODY POLE. (Match E to E)

9. Lift the Reaper's fabric and reach inside to connect the wires labeled H and F from the MODULE to the wires running outside the FABRIC FRAME COVER. (Connect H to H) (Connect F to F)

10. Connect the two wires labeled G **LOCATED UNDER THE FABRIC FRAME COVER**. (Connect G to G)

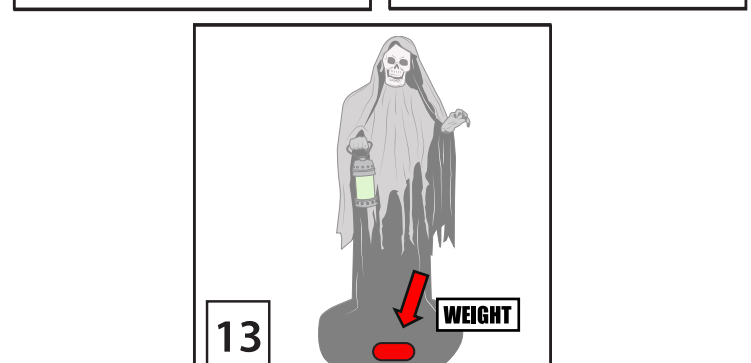
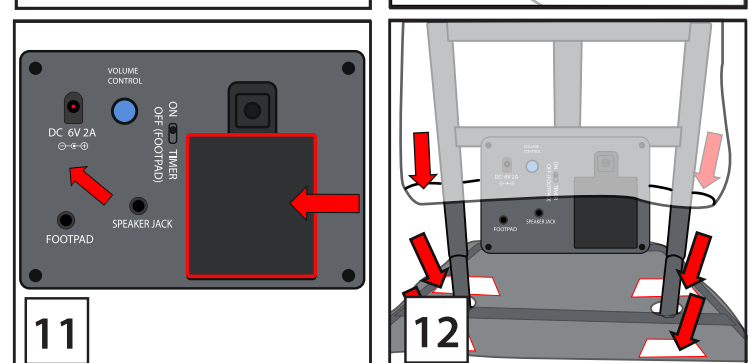
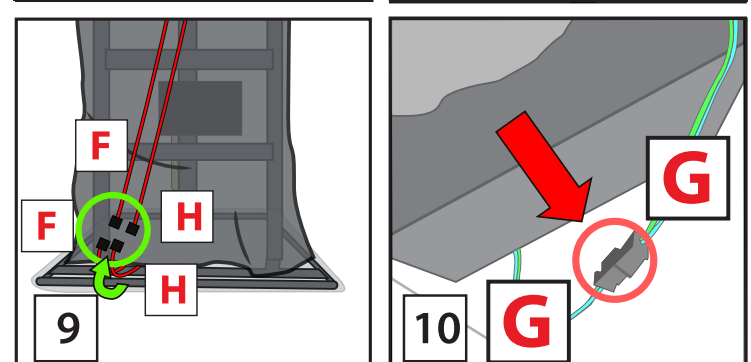
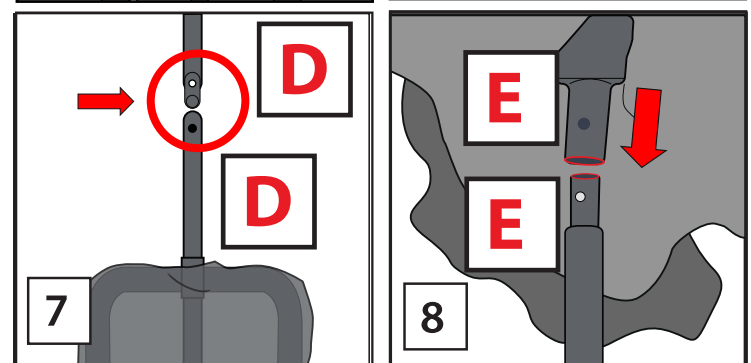
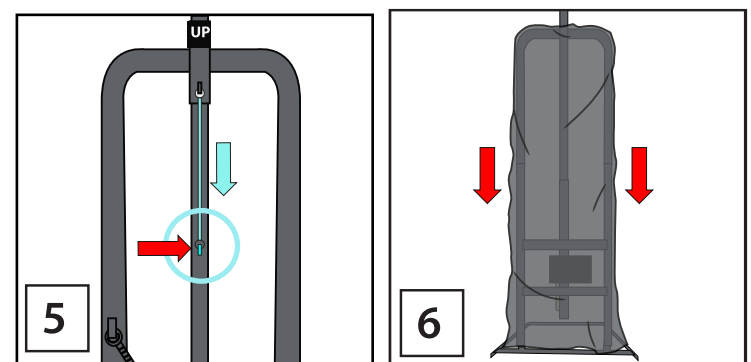
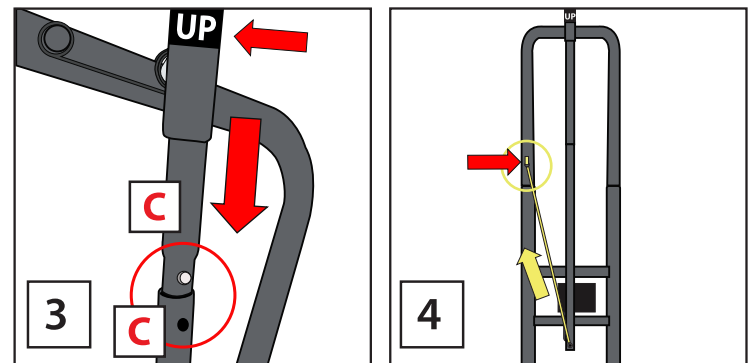
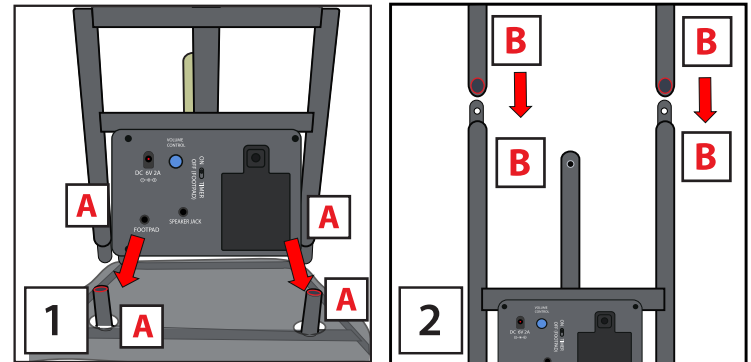
11. Reach inside the FABRIC FRAME COVER and connect 6V 2A ADAPTER (not included) or insert 4 AA alkaline batteries (not included) into the battery compartment located on the MODULE. Turn switch to ON position and make a loud sound or clap to activate item.

Turn switch on MODULE to **TIMER** to operate in Timer/Sound mode (Animated Ghost Reaper™ will function with 5 minute breaks between cycles - or, clap during 5 minute break to instantly start playing again). Leave switch in OFF position when not in use.

12. Attach the four hook and loop fasteners on the FABRIC FRAME COVER to the hook and loop fasteners on the METAL BASE.

13. Position the arms and dress as seen in illustration.

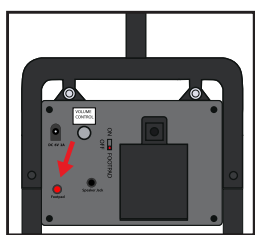
NOTE: FOR USE IN WIND - PLACE WEIGHT ON METAL BASE FOR EXTRA STABILITY AS NEEDED.



OPTIONAL FOOTPAD SET UP

FOOTPAD IS NOT INCLUDED. MUST BE PURCHASED SEPARATELY.

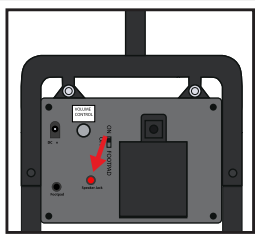
1. Insert the cable from optional footpad into the jack labeled FOOTPAD on the MODULE.
2. Place the switch in the FOOTPAD position to enable FOOTPAD activation.
3. Step on the FOOTPAD to activate the scary sequence!



OPTIONAL EXTERNAL SPEAKER SET UP

EXTERNAL SPEAKER IS NOT INCLUDED. MUST BE PURCHASED SEPARATELY.

1. Plug speaker cord into the jack labeled SPEAKER JACK located on the module.
2. Use volume knob on external speaker to control volume levels.



* Footpads and adapters are sold separately and can be purchased at www.tekkyaccessories.com



BATTERY INSTRUCTIONS AND CAUTIONS
 Battery installation and removal should be performed by an adult. Remove batteries when not in use. Use only batteries recommended in the instructions. Do not mix new and used batteries. Do not mix alkaline, carbon-zinc, nickel-cadmium, rechargeable or different types of batteries. Be mindful to insert batteries with the correct polarity (+/-) as indicated. Remove all exhausted batteries. Rechargeable batteries are only to be charged under adult supervision. Rechargeable batteries are not to be recharged. The supply terminals are not to be short-circuited. Always dispose of exhausted batteries properly. Do NOT dispose of batteries in fire, they may leak or explode.

Warning! This item is not a toy. For decoration only. Small parts, choking hazard. This product is intended for use by persons 15 years of age and older. Not intended for use by children ages 14 years and younger.

WARNING
DO NOT TURN ITEM ON UNTIL YOU HAVE COMPLETELY FINISHED ASSEMBLY.
STAY CLEAR OF ITEM WHILE OPERATING.
DO NOT PLACE ITEM ON UNEVEN GROUND.
DO NOT PLACE WEIGHT ON ITEM WHILE IN OPERATION.

STOP
DO NOT RETURN THIS ITEM TO THE STORE!
 If experiencing technical difficulties, please go to www.tekkydesign.com for assistance.



visit us at tekkydesign.com
 Requires 6V 2A ADAPTER (not included) or 4AA batteries (not included)

ALL NEW MATERIALS:
 METAL, FOAM, PLASTIC, FABRIC
 Surface washable only.

ANIMATED GHOST REAPER™
 is a trademark of Tekky.
 Copyright © 2021 Tekky.
 All Rights Reserved.
 MADE IN CHINA

13 WEIGHT